


**BDTB1-18**

Badotherm bimetal model BDTB1-18 series thermometer is available as 63/80/100/125/160 mm and is standard with a grub-screw thermowell. These bimetal thermometers are suitable where ambient corrosion is a major concern and can be used in the chemical industry, food industry etc. The standard connection on these thermometers is a brass thermowell with 1/2" bsp connection.

## stainless steel bimetal thermometer with well

### mounting variations

- type A bottom connection, direct mounting
- type C surface mounting, bottom connection
- type D back connection, direct mounting
- type E panel mounting, back connection
- type F panel mounting, bottom connection
- type BDTE every angle connection, direct mounting

### technical specification model BDTB1-18

diameter	dial	window	ranges
63 to 160 mm	aluminium	glass	from -50/550 °C
casing	stem	element	connection
AISI304 bayonet	AISI316	coiled bimetal	1/2" bsp brass thermowell
bezel	stem dia	pointer	accuracy
AISI304 bayonet	to fit well	fixed	1.0% FSD

Note: zero correction is standard on the outside at the back of the casing  
63 mm zero correction with adjustable pointer

### options and special executions at extra costs

dials	customized -i.e., non standard ranges or logos
manuals	installation and maintenance
pointer	adjustable slotted except 125 mm
connection	NPT, MM, BSPT, acc JIS in various sizes
thermowell	AISI316 fabricated
connection position	top or side
special execution	on request

## BDTB1-18 - technical data sheet

### operating details

#### working range

limitations	
Permanent	measuring range per DIN 13 190
Short time ( $\leq 1$ h)	1,1 x measuring range

#### temperature limitations

	ambient	process
without filling	-40 °C to 60 °C	-50 °C to 550 °C

#### pressure rating of thermowell

25 bar maximum (AISI316)

6 bar maximum (brass)

### design information

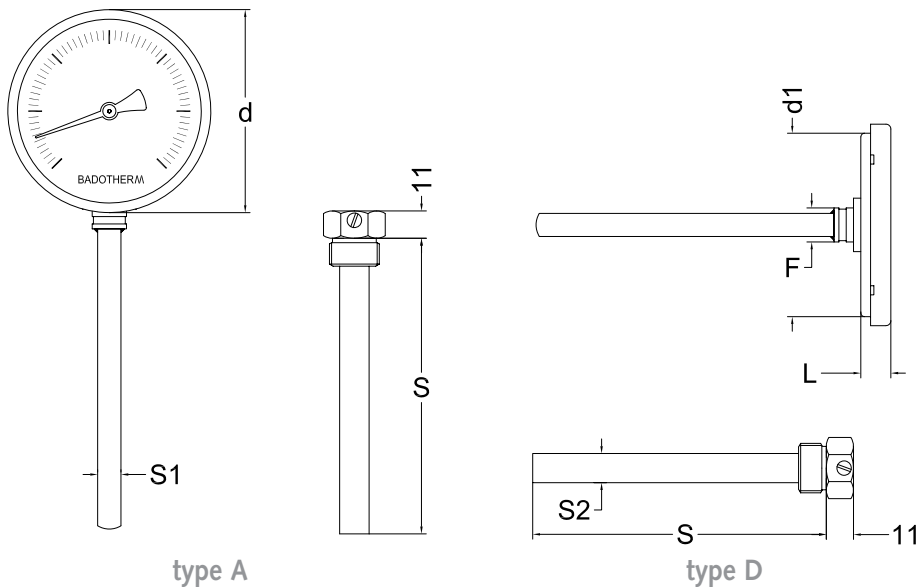
#### ingress protection

IP 54 per EN 60 529 / IEC 529

#### design

DIN 13 190

### drawings



### dimensions

ns	d	d1	L	S	S1	S2	F
63	68	63	15,5	to specify	8	10	14
80	89	80	16	to specify	8	10	14
100	110,5	100,5	19	to specify	8	10	14
125	130	119	20	to specify	8	10	14
160	160	149	20	to specify	8	10	14

Note : dimensions are in mm

## stainless steel bimetal thermometer minimum immersion lengths

range °C	span °C	min. immersion length (mm)
-20 + 40	60	100
-20 + 50	70	80
-20 + 60	80	63
-20 + 80	100	63
-20 + 100	120	63
-20 + 110	130	63
-20 + 120	140	50
-20 + 140	160	63
-25 + 40	65	80
-30 + 50	80	63
-30 + 70	100	80
-30 + 100	130	63
-40 + 60	100	80
-40 + 120	160	63
-50 + 50	100	80
-50 + 550	600	100
0 + 60	60	80
0 + 80	80	100
0 + 100	100	63
0 + 120	120	50
0 + 150	150	50
0 + 160	160	50
0 + 200	200	50
0 + 250	250	100
0 + 300	300	100
0 + 350	350	100
0 + 400	400	100
0 + 450	450	100
0 + 500	500	100
0 + 550	550	100

