

Badotherm model BDT36-18 series gauge is only available as 100 mm dia and has a contact built on the dial. These gauges are suitable where ambient corrosion is a major concern. Its stainless steel case and ring offer an excellent protection against chemical, weather and corrosion attack. The BDT36-18 has many optional contact features with electrical wire connections. All Badotherm stainless steel tubes are made from seamless drawn tube.



BDT36-18

contact all stainless steel pressure gauge

mounting variations

- type A bottom connection, direct mounting
- type B panel mounting, clamp fixing, back connection
- type C surface mounting, bottom connection
- type D back connection, direct mounting
- type E panel mounting, back connection
- type F panel mounting, bottom connection

technical specification model BDT36-18

diameter	connection	window	ranges
100 mm	1/2" BSP/NPT	plastic	from -1/1600 bar
casing	tube	movement	dial
AISI304 bayonet	AISI316	stainless steel	aluminium
bezel	socket	pointer	accuracy
AISI304 bayonet	AISI316	fixed	1.6% FSD

Note: snap-action contacts by magnets.
available with single or double acting contacts.
contacts built on the dial.
standard with 1 meter wire

options and special executions at extra cost

window	glass
dials	customized – i.e., non standard ranges or logos
certificates	calibration, conformity, material
manuals	installation and maintenance
connection	METRIC, BSPT, acc JIS in various sizes
restrictor	AISI316
connection position	top or side
electrical connection	2 meter wire
special versions	with monel internals BDT36-M
filling	isolating oil
accuracy	1% for inductive contacts
low action contacts	S1/S2/S3/S11/S12/S22/S33
magnet contacts	M1/M2/3/M11/M12/M22/M33
inductive contacts	I1/I2/I11/I12/I21/I22
electronic contacts	E1/E2/E11/E12/E21/E22

BDT36-18 - technical data sheet

pressure details

working pressure

Steady	full scale value
Fluctuating	0,9 x full scale value
Short time	see over-pressure table

pressure element

	<100 bar	≥ 100 bar
BDT36-18	AISI316	AISI316

over-pressure

max. scale in bar			over-pressure at 20 °C
-1	to	100	1,25 x full scale value
101	to	600	1,15 x full scale value
601	to	1600	1,10 x full scale value

Note : only withstand for a short period of time

temperature details

temperature limitations

	ambient	process
without filling	-40 °C to 60 °C	100 °C
silicone filling	-40 °C to 60 °C	90 °C

The variation of indication caused by the effects of temperature shall not exceed :

$\pm 0,04 \times (\text{ambient temperature-reference temperature})\%$
of the span

design information

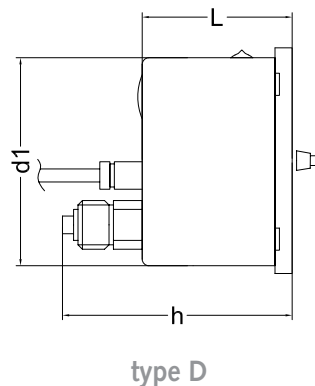
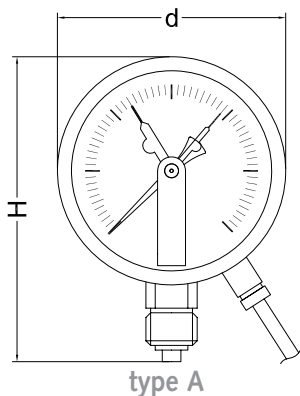
ingress protection

IP 65 per EN 60 529 / IEC 529

design

EN 837-1

drawings



dimensions

ns	d	d1	L	H	h	weight
100	110	100	82	140	112	0,8 kg

Note : dimensions are in mm