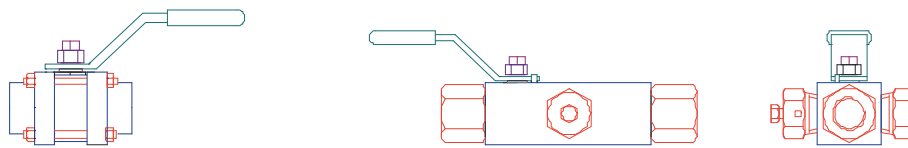
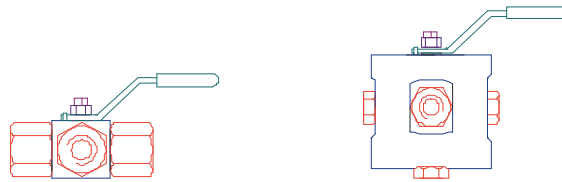
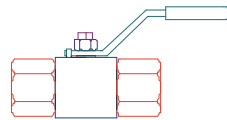


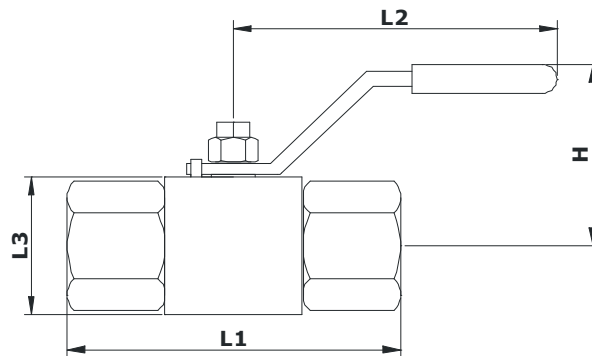
# *Instrument Ball Valves*



## INSTRUMENT BALL VALVE

PRODUCT CODE : C2IBV

### Schematic Diagram



### Description

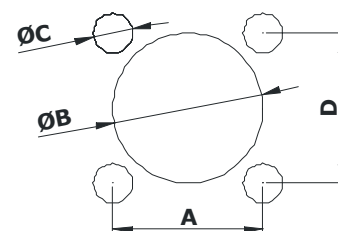
- Ball valves are quarter turn, straightthrough valves that have a round closure element with that permit uniform sealing stress.

### Features

- Size - 1/4", 3/8", 1/2", 3/4", 1"
- End connections - NPT, BSPT, Tube fitting
- 3 piece body design for easy maintenance.
- Working pressure - upto 6000 psi
- Temperature rating - PTFE 450° F (232° C), Grafoil - 700° F (371° C)
- Material - SS 316, SS 304, C.S., Monel 400
- Optional Sour Gas service valves are available confirming to NACE Std. MR - 01 - 75
- Packing - PTFE, Grafoil, Peek, RTFE
- Heat code traceability
- All valves are 100% factory tested prior to shipment.
- Optional panel mounting or ISO mounting style can be supplied.
- Test conducted - Pneumatic Seat test is performed at 1/4 of working pressure.
- Hydrostatic Shell Test is performed at 1.5 times the working pressure.
- Optional test are available on request.

Size	Part name	L1		L2	L3	H	ORIFICE
		BSP	NPT				
1/4"	C2IBV - 4N	60	67	117	31.75	40	10
3/8"	C2IBV - 6N	73	83	117	31.75	40	10
1/2"	C2IBV - 8N	77	92	117	31.75	40	10
3/4"	C2IBV - 12N	84	94	117	38.1	42	13
1"	C2IBV - 16N	108	115	152	50.8	52	19

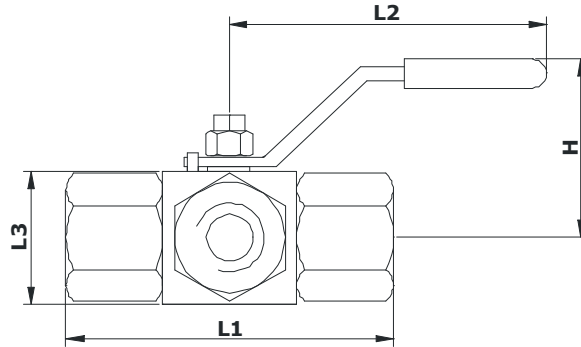
Mounting hole dimensions				
Size	A	B	C	D
1/4" - 3/4"	27	24	5	27
1"	38	38	5	38
4 - OFF M4 x 10 Long				



## INSTRUMENT BALL VALVE

PRODUCT CODE : C3IBV-L

Schematic Diagram



### Description

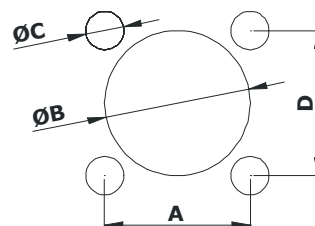
- Ball valves are quarter turn, straightthroughlow valves that have a round closure element with that permit uniform sealing stress.

### Features

- Size - 1/4", 3/8", 1/2", 3/4", 1"
- End connections - NPT, BSPT, Tube fitting
- `L' port ball design for various high pressure flow or isolation.
- Anti blow out stem for safety.
- Working pressure - upto 6000 psi
- Temperature rating - PTFE 450° F (232° C), Grafoil - 700° F (371° C)
- Material - SS 316, SS 304, C.S., Monel 400
- Optional Sour Gas service valves are available confirming to NACE Std. MR - 01 - 75
- Packing - PTFE, Grafoil, Peek, RTFE
- Heat code traceability
- All valves are 100% factory tested prior to shipment.
- Optional panel mounting or ISO mounting style can be supplied.
- Test conducted - Pneumatic Seat test is performed at 1/4 of working pressure.
  - Hydrostatic Shell Test is performed at 1.5 times the working pressure.
  - Optional test are available on request.

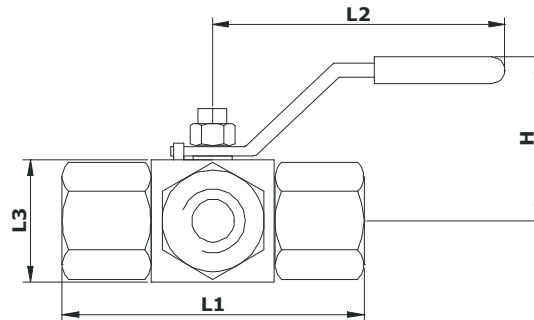
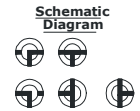
Size	Product Code	L1		L2	L3	H
		BSP	NPT			
1/4"	C3IBV-L - 4N	60	67	117	31.75	44
3/8"	C3IBV-L - 6N	73	83	117	31.75	44
1/2"	C3IBV-L - 8N	77	92	117	31.75	44
3/4"	C3IBV-L - 12N	84	94	117	38.1	44
1"	C3IBV-L - 16N	108	115	167	50.8	82

Mounting hole dimensions				
Size	A	B	C	D
1/4" - 3/4"	27	24	4	27
1"	38	38	4	38
4 - OFF M4 x 10 Long				



## INSTRUMENT BALL VALVE

PRODUCT CODE : C3IBV-T



### Description

- Ball valves are quarter turn, straightthroughlow valves that have a round closure element with that permit uniform sealing stress.

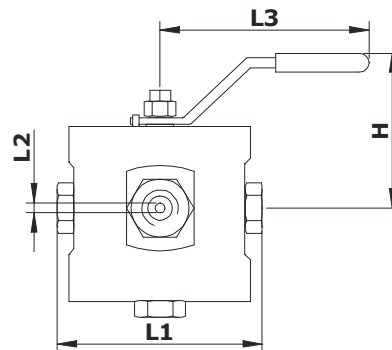
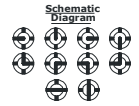
### Features

- Size - 1/4", 3/8", 1/2", 3/4", 1"
- End connections - NPT, BSPT, Tube fitting
- `T` port ball design for various high pressure flow or isolation.
- Anti blow out stem for safety.
- 3 handle direction for two flow formats.
- Working pressure - upto 6000 psi
- Temperature rating - PTFE 450° F (232° C), Grafoil - 700° F (371° C)
- Material - SS 316, SS 304, C.S., Monel 400
- Optional Sour Gas service valves are available confirming to NACE Std. MR - 01 - 75
- Packing - PTFE, Grafoil, Peek, RTFE
- Heat code traceability
- All valves are 100% factory tested prior to shipment.
- Optional panel mounting or ISO mounting style can be supplied.
- Test conducted - Pneumatic Seat test is performed at 1/4 of working pressure.
  - Hydrostatic Shell Test is performed at 1.5 times the working pressure.
  - Optional test are available on request.

Size	Product Code	L1	L2	L3	H
1/4"	C3IBV-T - 4N	80	110	40	60
3/8"	C3IBV-T - 6N	80	110	40	60
1/2"	C3IBV-T - 8N	100	110	40	60
3/4"	C3IBV-T - 12N	122	160	50	65
1"	C3IBV-T - 16N	132	160	50	65

## INSTRUMENT BALL VALVE

PRODUCT CODE : C5IBV



### Description

- Ball valves are quarter turn, straightthrough valves that have a round closure element with that permit uniform sealing stress.

### Features

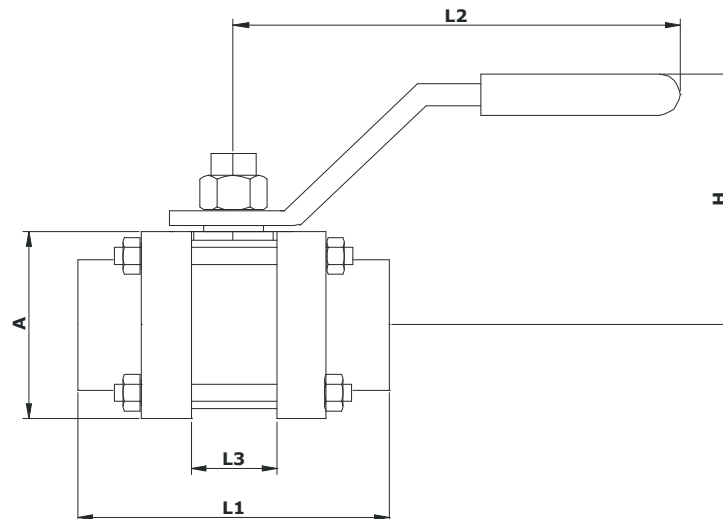
- Size - 1/4", 3/8", 1/2", 3/4", 1"
- End connections - NPT, BSPT, Tube fitting
- compact 4 way design.
- floating ball design to ensure leak-proof shut-off.
- Anti blow out stem for safety.
- Long handle for low operating torque.
- Working pressure - upto 6000 psi
- Temperature rating - PTFE 450° F (232° C), Grafoil - 700° F (371° C)
- Material - SS 316, SS 304, C.S., Monel 400
- Optional Sour Gas service valves are available confirming to NACE Std. MR - 01 - 75
- Packing - PTFE, Grafoil, Peek, RTFE
- Heat code traceability
- All valves are 100% factory tested prior to shipment.
- Optional panel mounting or ISO mounting style can be supplied.
- Test conducted - Pneumatic Seat test is performed at 1/4 of working pressure.
  - Hydrostatic Shell Test is performed at 1.5 times the working pressure.
  - Optional test are available on request.

Size	Product Code	L1	L2	L3	H
1/4"	C5IBV - 4N	65	5	117	50
3/8"	C5IBV - 6N	87	5	117	50
1/2"	C5IBV - 8N	110	5	117	50

## INSTRUMENT BALL VALVE

PRODUCT CODE : C2SBV

Schematic  
Diagram



### Description

- Ball valves are quarter turn, straightthroughlow valves that have a round closure element with that permit uniform sealing stress.

### Features

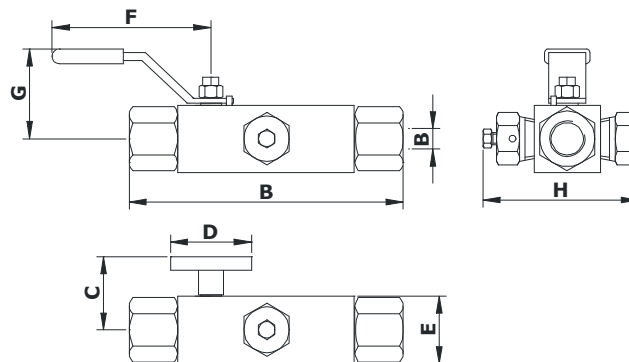
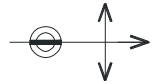
- Size - 1/4", 3/8", 1/2", 3/4", 1"
- End connections - NPT, BSPT, Tube fitting
- floating ball design to ensure leak-proof shut-off.
- Anti blow out stem for safety.
- Working pressure - upto 6000 psi
- Temperature rating - PTFE 450° F (232° C), Grafoil - 700° F (371° C)
- Material - SS 316, SS 304, C.S., Monel 400
- Optional Sour Gas service valves are available confirming to NACE Std. MR - 01 - 75
- Packing - PTFE, Grafoil, Peek, RTFE
- Heat code traceability
- All valves are 100% factory tested prior to shipment.
- Optional panel mounting or ISO mounting style can be supplied.
- Test conducted - Pneumatic Seat test is performed at 1/4 of working pressure.
  - Hydrostatic Shell Test is performed at 1.5 times the working pressure.
  - Optional test are available on request.

Size	Product Code	L1	L2	L3	H	A
1/4"	C2SBV - 4N	70	117	17.4	38	38.1
3/8"	C2SBV - 6N	70	117	17.4	38	38.1
1/2"	C2SBV - 8N	70	117	17.4	40	38.1
3/4"	C2SBV - 12N	75	160	22.2	40	42
1"	C2SBV - 16N	105	160	32.5	45	50.8

## INSTRUMENT BALL VALVE (with multi-port gauge valve)

PRODUCT CODE : C2IBVGM

### Schematic Diagram



## Description

- The multiport gauge (ball valve) is designed to provide for mounting gauges with the facility to test and calibrate gauges and pressure switches.
- The valve is available with male, female, compression end inlet and 3 x outlets.

## Features

- Size - 1/4", 1/2"
- End connections - NPT, Tube fitting
- 3 piece body design for easy maintenance.
- Working pressure - 1000 Psig to 6000 Psig
- Temperature rating - PTFE 450° F (232° C), Grafoil - 700° F (371° C)
- Material - SS 316, SS 304, C.S., Monel 400
- Optional Sour Gas service valves are available confirming to NACE Std. MR - 01 - 75
- Packing - PTFE, Grafoil, Peek, RTFE, Acetal
- Heat code traceability
- All valves are 100% factory tested prior to shipment.
- Optional panel mounting or ISO mounting style can be supplied.
- Test conducted - Pneumatic Seat test is performed at 1/4 of working pressure.
  - Hydrostatic Shell Test is performed at 1.5 times the working pressure.
  - Optional test are available on request.

Product Code	Connection Size	A	B	C	D	E	F	G	H
		NPT	BORE						
4NM-C2IBVGM-4NF	1/4" NPT MxF	121	10	48	75	32	115	38	70
4NF-C2IBVGM-4NF	1/4" NPT FxF	111	10	48	75	32	115	38	70
8NM-C2IBVGM-8NF	1/2" NPT MxF	152	10	48	75	32	115	38	70
8NF-C2IBVGM-8NF	1/2" NPT FxF	137	10	48	75	32	115	38	70
4-C2IBVGM-4NF	1/4" ODT x 1/4" NPTF	126	10	48	75	32	115	38	70
8-C2IBVGM-8NF	1/2" ODT x 1/2" NPTF	140	10	48	75	32	115	38	70

