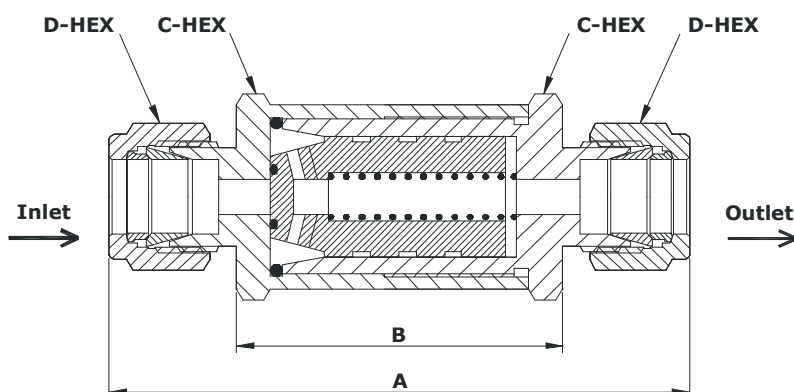


Check Valves



CHECK VALVE

PRODUCT CODE : CCHKV



Features

- Resilient, custom molded, blow-out resistant seat design
- Back stopped poppet minimizes spring stress
- Back pressure may be required to reseal the valve with nominal require cracking pressure.
- Cracking pressures include: 1/3, 1, 5, 10, 25, 50, 75, and 100 psi.
- Lubrication : Dye molly sulphide lubricant is used for outer body, Silicon based lubricant is used for poppet.
- 100% factory tested for both crack and reseal.
- Heat code traceability
- It uses in refineries, liquid patroleum gas processing plant, petro-chemical plants, systems difficult to shur off due to solid contents dust, rust, dirt etc.

Specifications

- Size - 1/8" to 1"
- End connection - NPT, BSP & ODT
- Material - SS 316 & BRASS
- Optional Sour Gas service valves are available confirming to NACE Std. MR - 01 - 75
- Pressure Rating :
 - SS 316 - size 1/8" to 3/4" - 6000 psig (414bar) CWP
 - size 1" - 5000 psig (345 bar) CWP
 - Brass - size 1/8" to 1" - 3000 psig (207bar) CWP
- Temperature Rating :
 - Fluorocarbon Rubber -15 °F to 400 °F (-26 °C to 204 °C)
 - Buna-N Rubber -30 °F to 275 °F (-34 °C to 135 °C)
 - Ethylene Propylene Rubber -70 °F to 275 °F (-57 °C to 135 °C)
 - Neoprene Rubber -45 °F to 250 °F (-43 °C to 121 °C)
 - PTFE -65 °F to 400 °F (-54 °C to 204 °C)
- Orifice : 2.0 mm to 16.7 mm

Application

- Check valves are designed for uni-directional flow control of fluids & gases in industries such as chemical processing , oil & gas production, power, paper & pulp.

CHECK VALVE

PRODUCT CODE : CCHKV

Valve Size		Product Code	Orifice	A	B	C	D
Inlet	Outlet						
1/8" ODT	1/8" ODT	2T - CCHKV	2.4	58.2	27.7	15.9	11.0
1/8" NPT(F)	1/8" NPT(F)	2NF - CCHKV	3.2	47.2	----	15.9	----
1/8" BSPT(F)	1/8" BSPT(F)	2RTF - CCHKV	3.2	47.2	----	15.9	----
1/8" BSPT(M)	1/8" BSPT(M)	2RTM - CCHKV	3.2	45.0	25.4	15.9	----
1/8" NPT(M)	1/8" NPT(M)	2NM - CCHKV	3.2	45.0	25.7	15.9	----
3mm ODT	3mm ODT	3MT - CCHKV	2.2	58.4	26.7	15.9	12.0
1/4" ODT	1/4" ODT	4T - CCHKV	4.7	61.5	26.2	19.1	14.3
1/4" NPT(F)	1/4" NPT(F)	4NF - CCHKV	4.7	61.0	----	19.1	----
1/4" BSPT(F)	1/4" BSPT(F)	4RTF - CCHKV	4.7	61.0	----	19.1	----
1/4" NPT(M)	1/4" NPT(M)	4NM - CCHKV	4.7	55.4	26.4	19.1	----
3/8" ODT	3/8" ODT	6T - CCHKV	4.7	64.8	26.2	19.1	17.5
6mm ODT	6mm ODT	6MT - CCHKV	4.7	61.7	26.2	19.1	14.0
3/8" ODT	3/8" ODT	6T - CCHKV	7.1	83.1	44.5	25.4	17.5
3/8" NPT(F)	3/8" NPT(F)	6NF - CCHKV	9.1	77.0	----	25.4	----
3/8" BSPT(F)	3/8" BSPT(F)	6RTF - CCHKV	9.1	77.0	----	25.4	----
3/8" BSPT(M)	3/8" BSPT(M)	6RTM - CCHKV	9.1	77.0	46.7	25.4	----
3/8" NPT(M)	3/8" NPT(M)	6NM - CCHKV	9.1	75.2	46.2	25.4	----
1/2" ODT	1/2" ODT	8T - CCHKV	9.1	90.2	46.0	25.4	22.2
8mm ODT	8mm ODT	8MT - CCHKV	6.4	84.6	47.5	25.4	16.0
10mm ODT	10mm ODT	10MT - CCHKV	7.9	85.1	46.0	25.4	16.0
1/2" ODT	1/2" ODT	8T - CCHKV	10.7	103.6	59.4	31.8	22.2
1/2" NPT(F)	1/2" NPT(F)	8NF - CCHKV	11.5	90.4	----	31.8	----
1/2" BSPT(F)	1/2" BSPT(F)	8RTF - CCHKV	11.5	90.4	----	31.8	----
1/2" BSPT(M)	1/2" BSPT(M)	8RTM - CCHKV	11.5	90.4	52.3	31.8	----
1/2" NPT(M)	1/2" NPT(M)	8NM - CCHKV	11.5	90.4	52.1	31.8	----
12mm ODT	12mm ODT	12MT - CCHKV	9.5	103.1	59.4	31.8	22.0
3/4" ODT	3/4" ODT	12T - CCHKV	15.1	110.2	66.0	34.9	----
3/4" NPT(F)	3/4" NPT(F)	12NF - CCHKV	15.1	103.9	----	34.9	----
3/4" BSPT(F)	3/4" BSPT(F)	12RTF - CCHKV	15.1	103.9	----	34.9	----
3/4" BSPT(M)	3/4" BSPT(M)	12RTM - CCHKV	15.1	103.9	65.8	34.9	----
3/4" NPT(M)	3/4" NPT(M)	12NM - CCHKV	15.1	103.9	65.5	34.9	----
20mm ODT	20mm ODT	20MT - CCHKV	15.1	109.7	65.0	34.9	32.0
22mm ODT	22mm ODT	22MT - CCHKV	15.1	109.2	65.0	34.9	32.0
1" ODT	1" ODT	16T - CCHKV	16.7	117.6	64.3	41.3	38.1
1" NPT(F)	1" NPT(F)	16NF - CCHKV	16.7	122.9	----	41.3	----
1" BSPT(F)	1" BSPT(F)	16RTF - CCHKV	16.7	122.9	----	41.3	----
1" BSPT(M)	1" BSPT(M)	16RTM - CCHKV	16.7	114.8	67.1	41.3	----
1"NPT(M)	1"NPT(M)	16NM - CCHKV	16.7	114.8	66.8	41.3	----
25mm ODT	25mm ODT	25MT - CCHKV	16.7	120.4	67.1	41.3	38.0

B-TEK